

FABRIJET

HS FT / HS FT II

1.9m HIGH SPEED FABRIJET TRANSFER



FABRIJET
HS FT

Print Speed	116 m ² /hr	82 m ² /hr	56 m ² /hr
Print Resolution	600 x 600dpi 2 Pass	600 x 900dpi 3 Pass	600 x 1,200dpi 4 Pass
Max Print Width	1,880 mm		
Max Media Width	1,900 mm		
Print Mode	Bi-Direction / Uni-Direction, Normal / Interleave		
Printhead	Kyocera printhead (2 heads)		
Color	4 Colors - Cyan, Magenta, Yellow, Black		
Ink	DGI original water based Dye Sublimation Ink		
Interface	TCP / IP		
Environmental Range	Temperature : 22.5~27.5 °C Humidity : 40~70% Environment condition may affect on final printing quality.		

Electricity Requirements

Printer : 220~240V VAC Single Phase, 50/60 Hz / 10A
Winder & Refill : 220~240V VAC Single Phase, 50/60 Hz / 3A

※ All specifications are subject to change without notice.

FABRIJET
HS FT II

Print Speed	199 m ² /hr	116 m ² /hr	82 m ² /hr
Print Resolution	600 x 600dpi 1 Pass	600 x 1,200dpi 2 Pass	600 x 1,800dpi 3 Pass
Max Print Width	1,880 mm		
Max Media Width	1,900 mm		
Print Mode	Bi-Direction / Uni-Direction, Normal / Interleave		
Printhead	Kyocera printhead (4 heads)		
Color	4 Colors - Cyan, Magenta, Yellow, Black		
Ink	DGI original water based Dye Sublimation Ink		
Interface	TCP / IP		
Environmental Range	Temperature : 22.5~27.5 °C Humidity : 40~70% Environment condition may affect on final printing quality.		

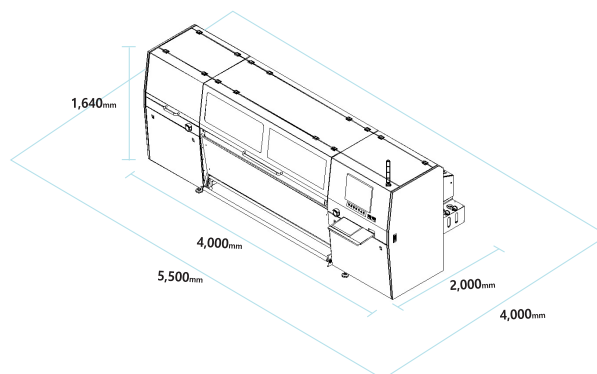
Electricity Requirements

Printer : 220~240V VAC Single Phase, 50/60 Hz / 15A
Winder & Refill : 220~240V VAC Single Phase, 50/60 Hz / 3A

※ All specifications are subject to change without notice.

Dimension for Installation

	Uncrated				Crated			
	Length (mm)	Width (mm)	Height (mm)	Weight (kg)	Length (mm)	Width (mm)	Height (mm)	Weight (kg)
Printer	4,000	900	1,640	1,200	4,400	1,330	2,100	1,600
Winder & Refill	2,810	630	810	200	3,440	900	1,100	350



52, Cheongdam-Ro, Yangju-si, Gyeonggi-do, Korea, 11459
TEL : +82-31-820-8900 A/S : +82-31-820-8880
FAX : +82-31-820-8990 E-MAIL : sales@dgi-net.com
www.dgi-net.com
www.facebook.com/dgikorea



ISO 9001:14001 Certified